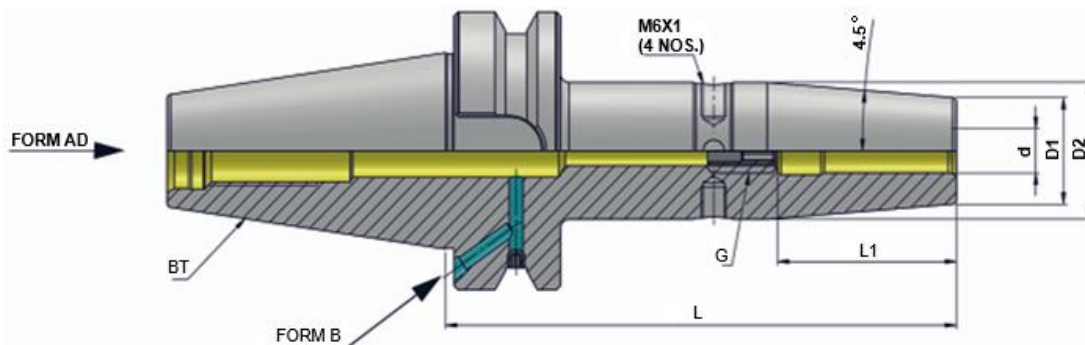


# KUTISTEISTUKAT

## BT (MAS 403) (DIN ISO 7388 - 2) (AD+B) JD/JF KUTISTEISTUKKA 4,5 ASTETTA



SISÄHALKAISIJAN SÄTEISHEITTO SUHTEESSA KARTIOON ENINTÄÄN 0,003MM  
DYNAAMINEN TASAPAINOITUS 2,5G / 25000RPM

BT (MAS 403) (SFH 4.5) (AD+B) JD/JF

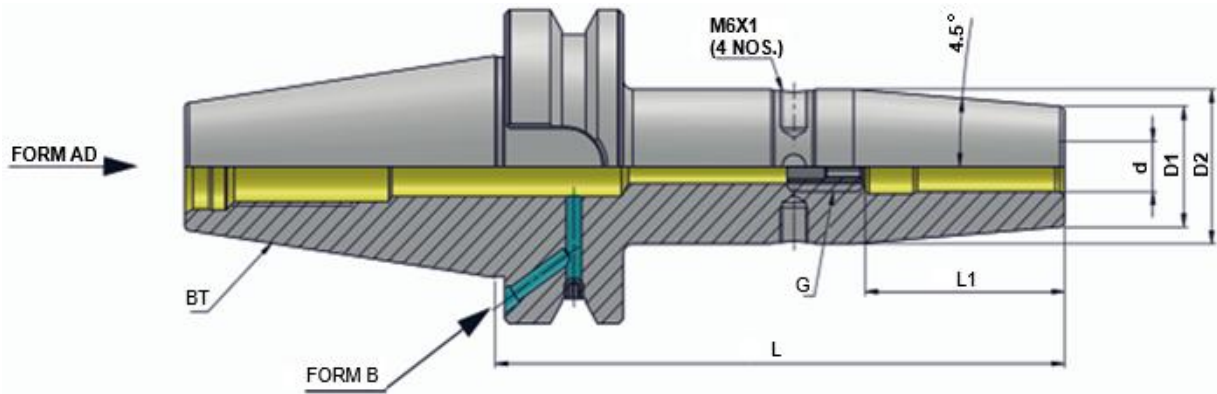
### MÄÄRÄLENNUKSET

OSTA 5kpl, saat -5%

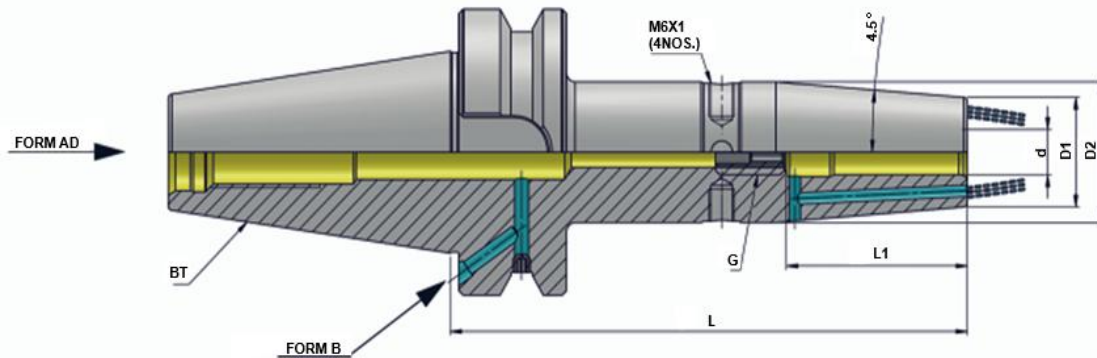
OSTA 10kpl, saat -10%

OSTA 15kpl, saat -15%

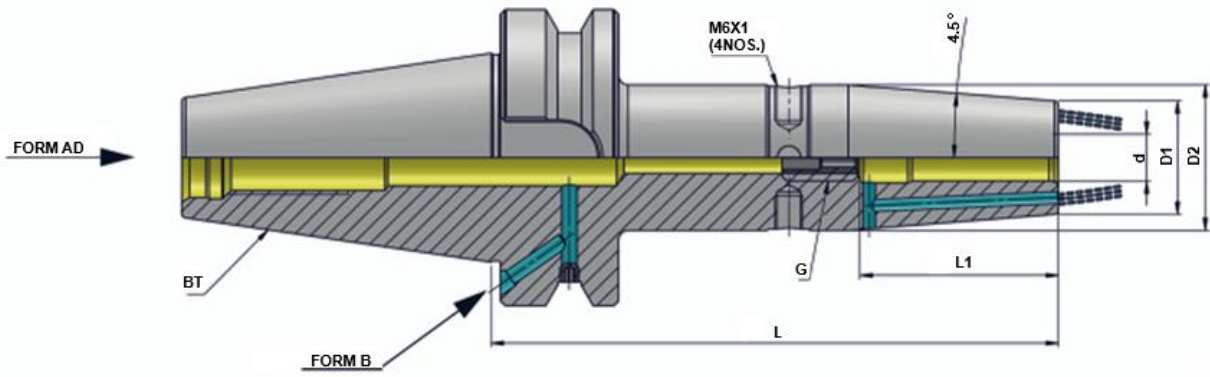
NIMIKE	TUOTEKOODI	ISO	d	D1	D2	G	L	L1	HINTA
BT50 SFH03 100 AD+B	K10103274148140	50	3	10	20	-	100	12	166 €
BT50 SFH03 120 AD+B	K10103274162140	50	3	10	20	-	120	12	181 €
BT50 SFH03 130 AD+B	K10103274165230	50	3	10	20	-	130	12	190 €
BT50 SFH03 160 AD+B	K10103274175140	50	3	10	20	-	160	12	200 €
BT50 SFH04 100 AD+B	K10103275148140	50	4	15	22	-	100	14	163 €
BT50 SFH04 120 AD+B	K10103275162140	50	4	15	22	-	120	14	177 €
BT50 SFH04 130 AD+B	K10103275165230	50	4	15	22	-	130	14	189 €
BT50 SFH04 160 AD+B	K10103275175140	50	4	15	22	-	160	14	196 €
BT50 SFH05 100 AD+B	K10103276148140	50	5	15	22	-	100	15	163 €
BT50 SFH05 120 AD+B	K10103276162140	50	5	15	22	-	120	15	177 €
BT50 SFH05 130 AD+B	K10103276165230	50	5	15	22	-	130	15	189 €
BT50 SFH05 160 AD+B	K10103276175140	50	5	15	22	-	160	15	196 €
BT50 SFH06 100 AD+B	K10103277148140	50	6	21	27	M5	100	36	150 €
BT50 SFH06 120 AD+B	K10103277162140	50	6	21	27	M5	120	36	164 €
BT50 SFH06 130 AD+B	K10103277165230	50	6	21	27	M5	130	36	176 €
BT50 SFH06 160 AD+B	K10103277175140	50	6	21	27	M5	160	36	182 €
BT50 SFH06 200 AD+B	K10103277239230	50	6	21	27	M5	200	36	198 €
BT50 SFH08 100 AD+B	K10103285148140	50	8	21	27	M6	100	36	150 €
BT50 SFH08 120 AD+B	K10103285162140	50	8	21	27	M6	120	36	164 €
BT50 SFH08 130 AD+B	K10103285165230	50	8	21	27	M6	130	36	176 €
BT50 SFH08 160 AD+B	K10103285175140	50	8	21	27	M6	160	36	182 €
BT50 SFH08 200 AD+B	K10103285239230	50	8	21	27	M6	200	36	198 €
BT50 SFH10 100 AD+B	K10103279148140	50	10	24	31	M8	100	41	150 €
BT50 SFH10 120 AD+B	K10103279162140	50	10	24	31	M8	120	41	164 €
BT50 SFH10 130 AD+B	K10103279165230	50	10	24	31	M8	130	41	176 €
BT50 SFH10 160 AD+B	K10103279175140	50	10	24	31	M8	160	41	182 €
BT50 SFH10 200 AD+B	K10103279239230	50	10	24	31	M8	200	41	198 €



NIMIKE	TUOTEKOODI	ISO	d	D1	D2	G	L	L1	HINTA
BT50 SFH12 100 AD+B	K10103280148140	50	12	24	31	M10	100	46	150 €
BT50 SFH12 120 AD+B	K10103280162140	50	12	24	31	M10	120	46	164 €
BT50 SFH12 130 AD+B	K10103280165230	50	12	24	31	M10	130	46	176 €
BT50 SFH12 160 AD+B	K10103280175140	50	12	24	31	M10	160	46	182 €
BT50 SFH12 200 AD+B	K10103280239230	50	12	24	31	M10	200	46	198 €
BT50 SFH14 100 AD+B	K10103284148140	50	14	27	34	M10	100	46	150 €
BT50 SFH14 120 AD+B	K10103284162140	50	14	27	34	M10	120	46	164 €
BT50 SFH14 130 AD+B	K10103284165230	50	14	27	34	M10	130	46	176 €
BT50 SFH14 160 AD+B	K10103284175140	50	14	27	34	M10	160	46	182 €
BT50 SFH14 200 AD+B	K10103284239230	50	14	27	34	M10	200	46	198 €
BT50 SFH16 100 AD+B	K10103281148140	50	16	27	34	M12	100	49	150 €
BT50 SFH16 120 AD+B	K10103281162140	50	16	27	34	M12	120	49	164 €
BT50 SFH16 130 AD+B	K10103281165230	50	16	27	34	M12	130	49	176 €
BT50 SFH16 160 AD+B	K10103281175140	50	16	27	34	M12	160	49	182 €
BT50 SFH16 200 AD+B	K10103281239230	50	16	27	34	M12	200	49	198 €
BT50 SFH18 100 AD+B	K10103282148140	50	18	33	40	M12	100	49	150 €
BT50 SFH18 120 AD+B	K10103282162140	50	18	33	40	M12	120	49	164 €
BT50 SFH18 130 AD+B	K10103282165230	50	18	33	40	M12	130	49	176 €
BT50 SFH18 160 AD+B	K10103282175140	50	18	33	40	M12	160	49	182 €
BT50 SFH18 200 AD+B	K10103282239230	50	18	33	40	M12	200	49	198 €
BT50 SFH20 100 AD+B	K10103283148140	50	20	33	40	M16	100	51	150 €
BT50 SFH20 120 AD+B	K10103283162140	50	20	33	40	M16	120	51	164 €
BT50 SFH20 130 AD+B	K10103283165230	50	20	33	40	M16	130	51	176 €
BT50 SFH20 160 AD+B	K10103283175140	50	20	33	40	M16	160	51	182 €
BT50 SFH20 200 AD+B	K10103283239230	50	20	33	40	M16	200	51	198 €
BT50 SFH25 110 AD+B	K10103287156140	50	25	44	53	M16	110	57	150 €
BT50 SFH25 120 AD+B	K10103287162140	50	25	44	53	M16	120	57	164 €
BT50 SFH25 130 AD+B	K10103287165230	50	25	44	53	M16	130	57	176 €
BT50 SFH25 160 AD+B	K10103287175140	50	25	44	53	M16	160	57	182 €
BT50 SFH25 200 AD+B	K10103287239230	50	25	44	53	M16	200	57	198 €
BT50 SFH32 110 AD+B	K10103288156140	50	32	44	53	M16	110	61	150 €
BT50 SFH32 120 AD+B	K10103288162140	50	32	44	53	M16	120	61	164 €
BT50 SFH32 130 AD+B	K10103288165230	50	32	44	53	M16	130	61	176 €
BT50 SFH32 160 AD+B	K10103288175140	50	32	44	53	M16	160	61	182 €
BT50 SFH32 200 AD+B	K10103288239230	50	32	44	53	M16	200	61	198 €

**BT (MAS 403) (DIN ISO 7388 - 2) (AD+B) JD/JF**
**KUTISTEISTUKKA 4,5 ASTETTA**
**JÄÄHDYTYSKANAVAT OTSAPINNASSA**


NIMIKE	TUOTEKOODI	ISO	d	D1	D2	G	L	L1	HINTA
BT50 SFH03 100 FCC AD+B	K10103274148255	50	3	10	20	–	100	12	188 €
BT50 SFH03 120 FCC AD+B	K10103274162255	50	3	10	20	–	120	12	202 €
BT50 SFH03 130 FCC AD+B	K10103274165255	50	3	10	20	–	130	12	212 €
BT50 SFH03 160 FCC AD+B	K10103274175255	50	3	10	20	–	160	12	221 €
BT50 SFH04 100 FCC AD+B	K10103275148255	50	4	15	22	–	100	14	185 €
BT50 SFH04 120 FCC AD+B	K10103275162255	50	4	15	22	–	120	14	199 €
BT50 SFH04 130 FCC AD+B	K10103275165255	50	4	15	22	–	130	14	210 €
BT50 SFH04 160 FCC AD+B	K10103275175255	50	4	15	22	–	160	14	218 €
BT50 SFH05 100 FCC AD+B	K10103276148255	50	5	15	22	–	100	15	185 €
BT50 SFH05 120 FCC AD+B	K10103276162255	50	5	15	22	–	120	15	199 €
BT50 SFH05 130 FCC AD+B	K10103276165255	50	5	15	22	–	130	15	210 €
BT50 SFH05 160 FCC AD+B	K10103276175255	50	5	15	22	–	160	15	218 €
BT50 SFH06 100 FCC AD+B	K10103277148255	50	6	21	27	M5	100	36	172 €
BT50 SFH06 120 FCC AD+B	K10103277162255	50	6	21	27	M5	120	36	186 €
BT50 SFH06 130 FCC AD+B	K10103277165255	50	6	21	27	M5	130	36	197 €
BT50 SFH06 160 FCC AD+B	K10103277175255	50	6	21	27	M5	160	36	203 €
BT50 SFH08 100 FCC AD+B	K10103285148255	50	8	21	27	M6	100	36	172 €
BT50 SFH08 120 FCC AD+B	K10103285162255	50	8	21	27	M6	120	36	186 €
BT50 SFH08 130 FCC AD+B	K10103285165255	50	8	21	27	M6	130	36	197 €
BT50 SFH08 160 FCC AD+B	K10103285175255	50	8	21	27	M6	160	36	203 €
BT50 SFH10 100 FCC AD+B	K10103279148255	50	10	24	31	M8	100	41	172 €
BT50 SFH10 120 FCC AD+B	K10103279162255	50	10	24	31	M8	120	41	186 €
BT50 SFH10 130 FCC AD+B	K10103279165255	50	10	24	31	M8	130	41	197 €
BT50 SFH10 160 FCC AD+B	K10103279175255	50	10	24	31	M8	160	41	203 €
BT50 SFH12 100 FCC AD+B	K10103280148255	50	12	24	31	M10	100	46	172 €
BT50 SFH12 120 FCC AD+B	K10103280162255	50	12	24	31	M10	120	46	186 €
BT50 SFH12 130 FCC AD+B	K10103280165255	50	12	24	31	M10	130	46	197 €
BT50 SFH12 160 FCC AD+B	K10103280175255	50	12	24	31	M10	160	46	203 €
BT50 SFH14 100 FCC AD+B	K10103284148255	50	14	27	34	M10	100	46	172 €
BT50 SFH14 120 FCC AD+B	K10103284162255	50	14	27	34	M10	120	46	186 €
BT50 SFH14 130 FCC AD+B	K10103284165255	50	14	27	34	M10	130	46	197 €
BT50 SFH14 160 FCC AD+B	K10103284175255	50	14	27	34	M10	160	46	203 €



NIMIKE	TUOTEKOODI	ISO	d	D1	D2	G	L	L1	HINTA
BT50 SFH16 100 FCC AD+B	K10103281148255	50	16	27	34	M12	100	49	172 €
BT50 SFH16 120 FCC AD+B	K10103281162255	50	16	27	34	M12	120	49	186 €
BT50 SFH16 130 FCC AD+B	K10103281165255	50	16	27	34	M12	130	49	197 €
BT50 SFH16 160 FCC AD+B	K10103281175255	50	16	27	34	M12	160	49	203 €
BT50 SFH18 100 FCC AD+B	K10103282148255	50	18	33	40	M12	100	49	172 €
BT50 SFH18 120 FCC AD+B	K10103282162255	50	18	33	40	M12	120	49	186 €
BT50 SFH18 130 FCC AD+B	K10103282165255	50	18	33	40	M12	130	49	197 €
BT50 SFH18 160 FCC AD+B	K10103282175255	50	18	33	40	M12	160	49	203 €
BT50 SFH20 100 FCC AD+B	K10103283148255	50	20	33	40	M16	100	51	172 €
BT50 SFH20 120 FCC AD+B	K10103283162255	50	20	33	40	M16	120	51	186 €
BT50 SFH20 130 FCC AD+B	K10103283165255	50	20	33	40	M16	130	51	197 €
BT50 SFH20 160 FCC AD+B	K10103283175255	50	20	33	40	M16	160	51	203 €
BT50 SFH25 110 FCC AD+B	K10103287156255	50	25	44	53	M16	100	57	172 €
BT50 SFH25 120 FCC AD+B	K10103287162255	50	25	44	53	M16	120	57	186 €
BT50 SFH25 130 FCC AD+B	K10103287165255	50	25	44	53	M16	130	57	197 €
BT50 SFH25 160 FCC AD+B	K10103287175255	50	25	44	53	M16	160	57	203 €
BT50 SFH32 110 FCC AD+B	K10103288156255	50	32	44	53	M16	100	61	172 €
BT50 SFH32 120 FCC AD+B	K10103288162255	50	32	44	53	M16	120	61	186 €
BT50 SFH32 130 FCC AD+B	K10103288165255	50	32	44	53	M16	130	61	197 €
BT50 SFH32 160 FCC AD+B	K10103288175255	50	32	44	53	M16	160	61	203 €